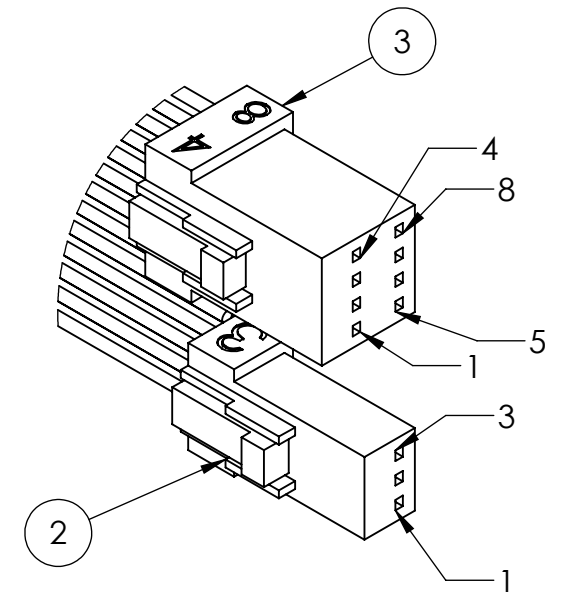
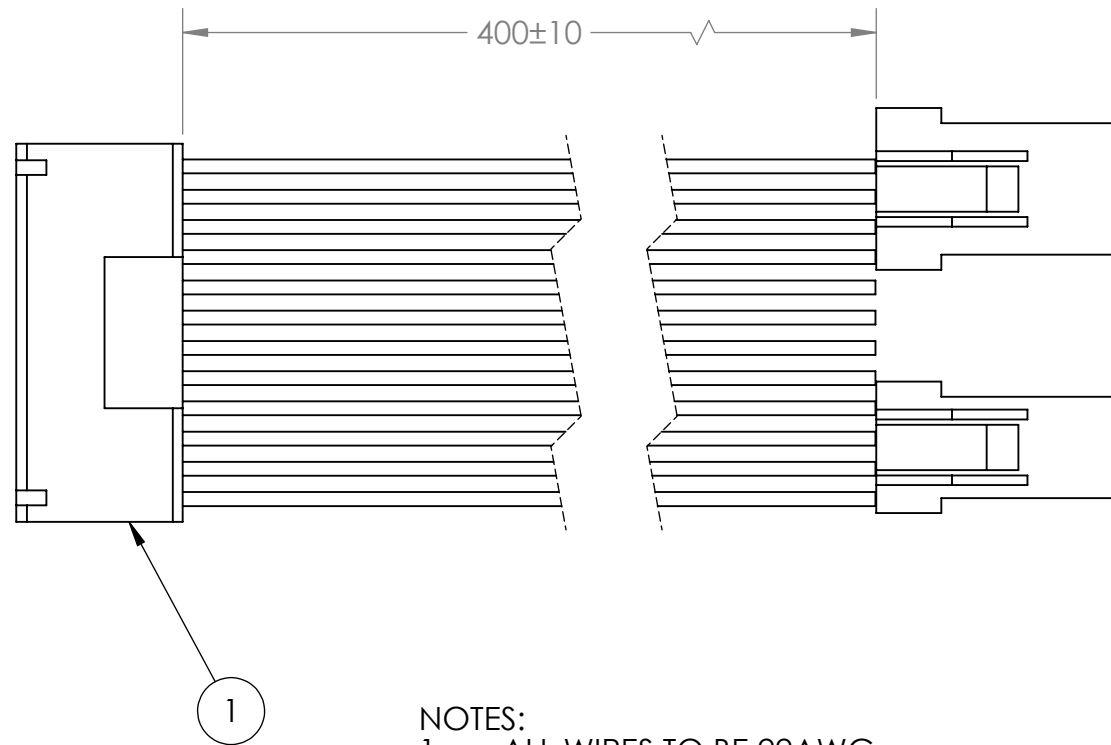
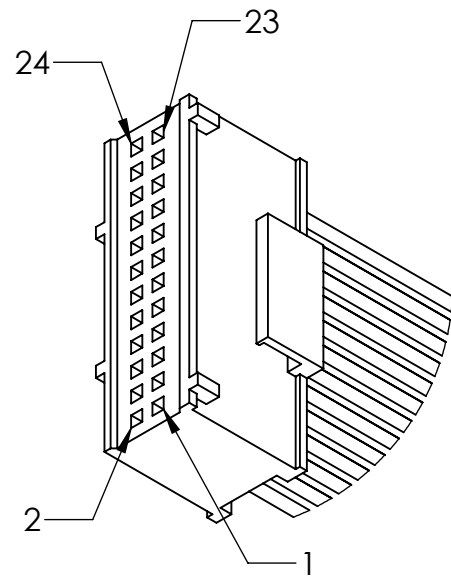


ITEM NO.	QTY.	PART NUMBER	DESCRIPTION	Manufacturer P/N	Pin
1	1	42-000558	JST 24-pin PAD crimped female connector	JST PADP-24V-1-S	JST SPH-001T-P0.5L
2	1	42-000531	CONNECTOR, RECEPTICAL, 3PIN, WATERPROOF	03R-JWPF-VSLE-S	SWPR-001T-P025
3	1	42-000518	CONNECTOR, PLUG, 8PIN, WATERPROOF	08R-JWPF-VSLE-D	SWPR-001T-P025

REVISIONS			
ZONE	REV.	DESCRIPTION	DATE
	A-01	INITIAL RELEASE	15/04/2014



WIRING				
COLOUR	24-PIN #	3-PIN #	8-PIN #	DESCRIPTION
BLACK	1			HALL GND
WHITE/BLACK	2			HALL +5V
GREEN	3			HALL A
BLUE	4			HALL C
BLACK	5			GND
YELLOW	6			HALL B
PURPLE/WHITE	7			ABMS
ORANGE/WHITE	8			BRAKE 2
BLUE/BLACK	9			PFS
ORANGE	10			BRAKE 1
RED/WHITE	11			+5V
BLUE/WHITE	12			CRUISE
BROWN	13			+12V
PURPLE	14			THROTTLE SIG
PURPLE/BLACK	15			HDQ SIG
BLACK	16	3		GND
GREY/WHITE	17	1		TTLRX1
YELLOW/WHITE	18	2		TTLTX1
GREY/BLACK	19		3	CAN/485/TTL2 - RX
YELLOW/BLACK	20		4	CAN/485/TTL2 - TX
RED	21		1	KEY OUT
WHITE	22		5	KEY IN
GREEN/WHITE	23			LIGHT
BLACK	24		2	GND

NOTES:

- ALL WIRES TO BE 22AWG
- ALL WIRES MINIMUM 150V
- ALL WIRES MINIMUM 105 °C
- WIRE COLOURS TO MATCH WIRING TABLE
- ALL COMPONENTS MUST BE ROHS COMPLIANT

ASI REFERENCE ONLY	
PART NUMBER	MODEL REV.
40-000414	A-01

UNLESS OTHERWISE SPECIFIED: DIMENSIONS ARE IN MM TOLERANCES: X ± 2 .XX ± .2 .XX ± .05 .XXX ± .01	PROPRIETARY AND CONFIDENTIAL THE INFORMATION CONTAINED IN THIS DRAWING IS THE SOLE PROPERTY OF ACCELERATED SYSTEMS INC. ANY REPRODUCTION IN PART OR AS A WHOLE WITHOUT THE WRITTEN PERMISSION OF ACCELERATED SYSTEMS INC. IS PROHIBITED.
MATERIAL	DRAWN Aflemming 11/04/2014
FINISH	REVIS
	CHECKED CDerbecker 15/04/2014

DWG#: 40-000417	
TITLE: R11 BAC500 EVALUATION HARNESS	
SIZE B	REV A-01
SCALE: 2:1	WEIGHT:
SHEET 1 OF 1	

